

Fanvil PN1 2-Wire Converter



Description

Fanvil PN1 is a 2-wire converter featuring a unique design that facilitates the reuse of existing wires. It requires no cumbersome installation or wiring, simply plug it in and it's ready to use. This not only saves installation time but also significantly reduces overall wiring costs. This innovative feature makes PN1 an ideal choice for quick and efficient deployment in existing infrastructure, providing users with a more convenient and cost-effective experience.

Main Features



Connect any PoE-enabled IP device using a 2-wire cable to simplify the wiring process



Reuse existing wires (PSTN & AWG cables) to save wiring costs



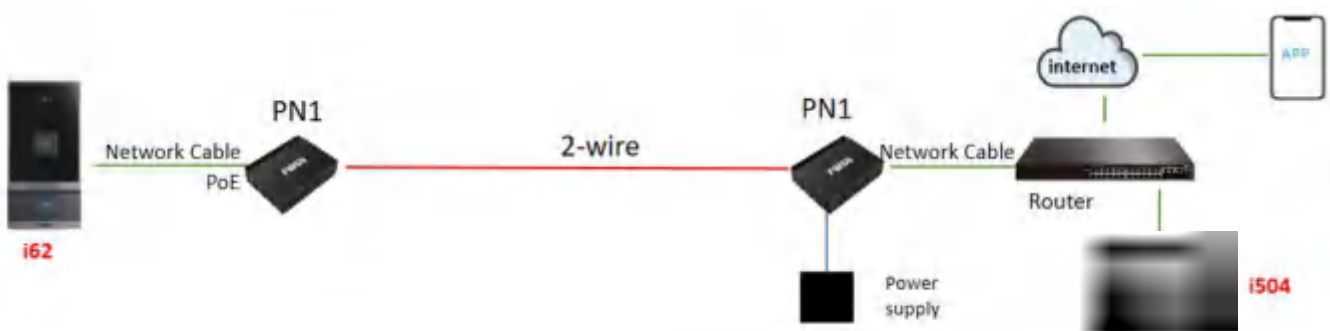
Compatible with PN8 and PN24 switches for network and power supply, enabling flexible networking



No master-slave distinction between the two PN1 converters
Maximum transmission distance is up to 300 meters (Network and power supply)



Standard PoE output (IEEE 802.3af/at)



Fanvil Technology Co., LTD

Add: 10F, Block A, Dualshine Global Science Innovation Center, Honglang North 2nd Road, Bao'An District, Shenzhen, China

Phone: 0755-26402199 E-mail: sales@fanvil.com Web: www.fanvil.com

Specifications

Scenario	Community, Hotel, Villa, Renovation of an old building
Body	ABS
Color	Gunmetal
Ethernet Interface	Connector Type: RJ45 Speed: 10/100 Base T, auto-negotiation IEEE 802.3 af/at PoE+
2-Wire Interface	2-wire port *1
Reset	1
Status Indicator Lights	Power indicator light (Red) Network indicator light (Green)
Power	100V~240V input, max:80W output
Transmission Distance	300M (network and power supply),1600M (Only supply network), depends on wiring and interference CAT 5e, 24AWG, RVV 2*0.5, or Similar
Working Temperature	-20°C~+50°C
Storage Temperature	-30°C~+80°C
Installation	Wall-mounted/Flush-mounted
Weight	0.69KG
Minimal Package	2*PN1 1*Power adapter
Product Size (LWH)	85×68×22.7mm
Box Size (LWH)	202×123×64mm